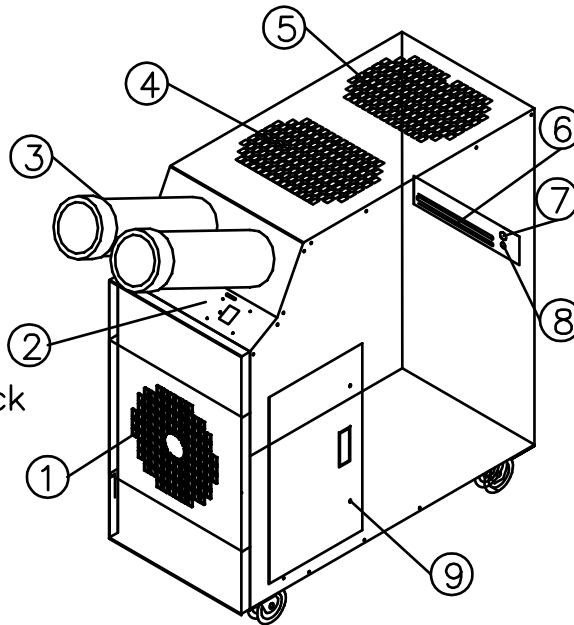


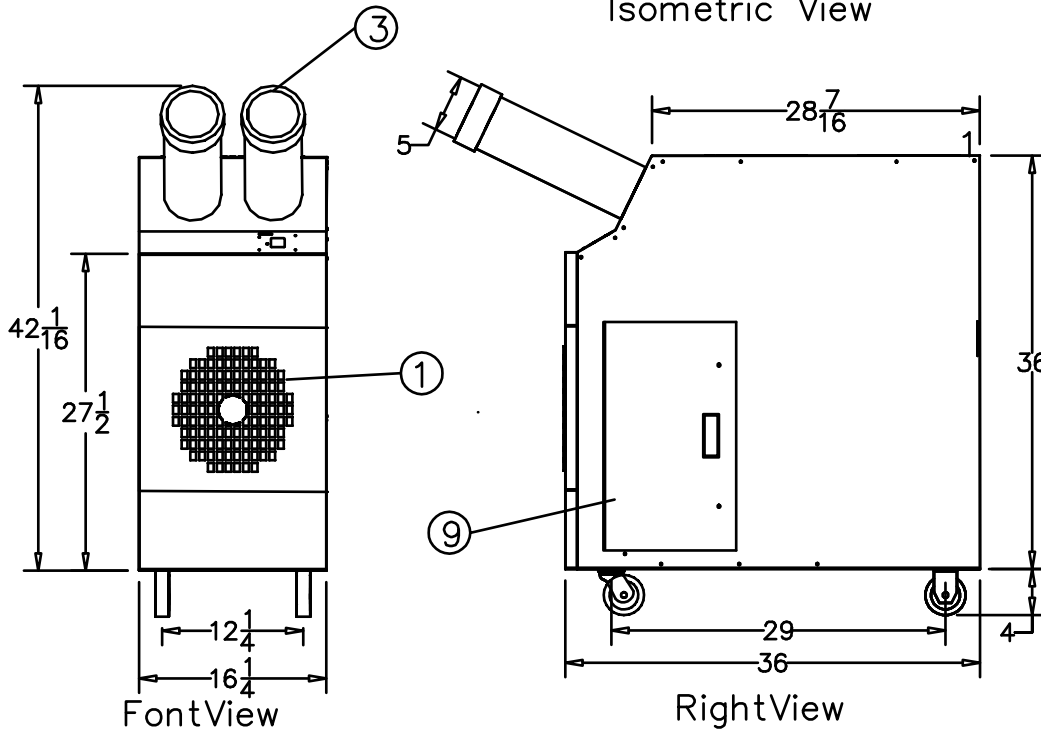
KPAC1411

Legend

- 1 Return Air
- 2 Control Pad
- 3 Cold Air Supply
- 4 Condenser Air Inlet
- 5 Condenser Air Outlet
- 6 Power Cord
- 7 Condensate Nipple
- 8 Condensate Alarm Jack
- 9 Access Door



Isometric View





PENN RADIANT PRODUCTS

1-800-438-2503

SPECIFICATIONS

Model KPAC1411 - 1.1 Ton

COOLING CAPACITY		
	BTU/hr @ 95 F at 60%RH	13,700 (1.1 TON)
COMPRESSOR DATA		
	Compressor Type	HERMETIC ROTARY
	Operating Temperatures	70-100F .50% RH
	Refrigerant	R-22
FAN DATA		
EVAPORATOR		
	Fan Type (Centrifugal)	DIRECT DRIVE
	Air Flow (CFM)	445/1
	Supply Air Chute Data	2-5"Dia.x16"Length
	Supply Air Chute Max. Length	15
	Motor HP	1/6
CONDENSER		
	I/O Intergral Condenser - In/Out	BALANCED AIR FLOW
	Fan Type (Centrifugal)	DIRECT DRIVE
	Air Flow (CFM)	1000
	Condenser Hose Data (Optional)	2x12"Dia.x8' Length
	Condenser Hose Max. Length	25'
	Motor HP	1/3
ELECTRICAL DATA		
	Power Supply (Volts)	115/10
	Current Consumption (Amps)	13.5
	Power Consumption (KW)	1.3
	Maximum Circuit Breaker (Amps)	15
	Minimum Circuit Ampacity (Amps)	14.54
	Min/Max Voltage	105-125
	Power Cord Gauge/Length	14 AWG/6'
	Plug Configuration	NEMA 5-15
DIMENSIONAL DATA		
Unitary Models	Width x Depth x Height (Inches)	16.25X36X40
	Weight (Lbs)	184
	Shipping Weight (Lbs)	259
	Ceiling Kit - CK-12 Weight	38
	Total Shipping Weight/w Ceiling Kit	312
SAFETY DEVICE DATA		
	Compressor Overload	INTERNAL
	Fan Motor Overload	AUTOMATIC INTERNAL
	Evaporator Freeze-up	FREEZE STAT
	High Pressure Switch	MANUAL
	Low Pressure Switch	NONE
	Compressor Short Cycle	YES
	Automatic Restart	YES
	Thermostat	MICROPROCESSOR/ DIGITAL
	Condensate Pump w 20' Head Pres.	Optional
	Condensate Pump Overflow	Optional
	Condensate Tank Overflow	YES

