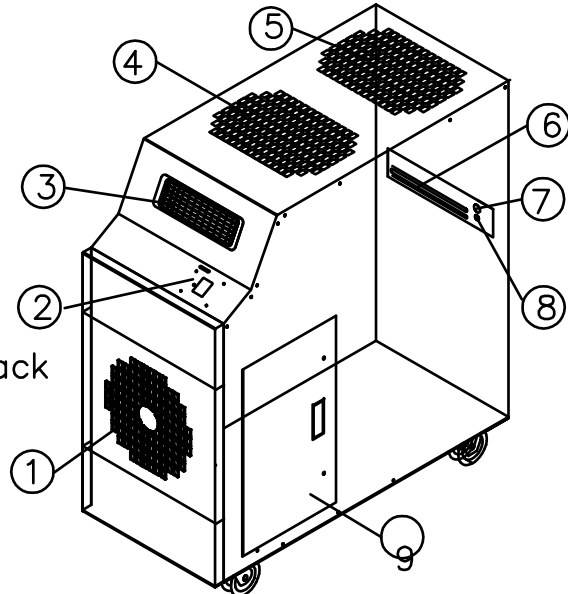


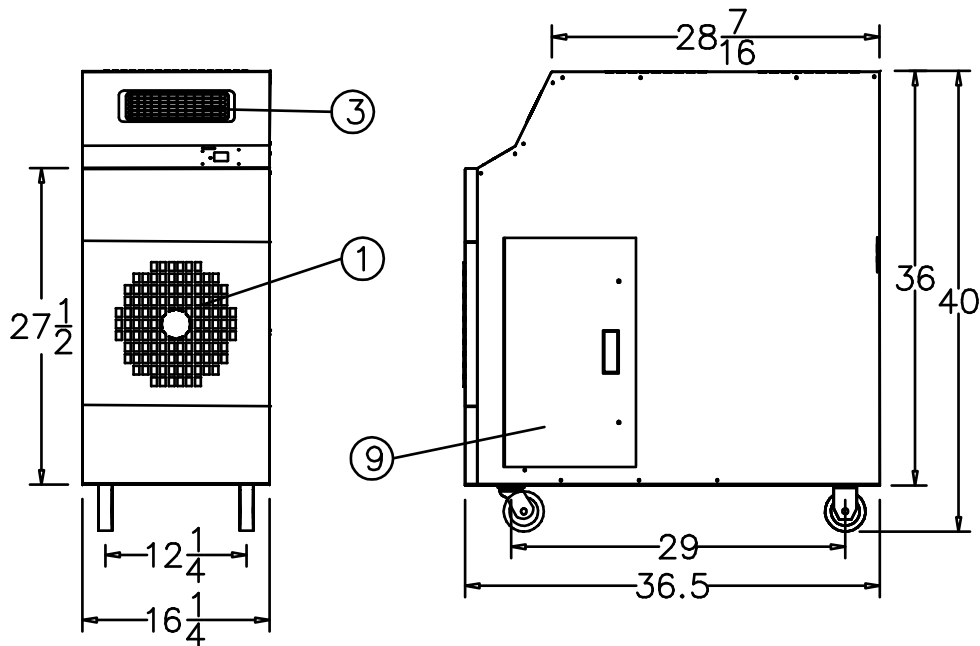
SAC1411

Legend

- 1 Return Air
- 2 Control Pad
- 3 Cold Air Supply
- 4 Condenser Air Inlet
- 5 Condenser Air Outlet
- 6 Power Cord
- 7 Condensate Nipple
- 8 Condensate Alarm Jack
- 9 Access Door



isometric View



Front View

Right View





PENN RADIANT PRODUCTS

1-800-438-2503

SPECIFICATIONS

Model SAC1411 - 1.1 Ton

COOLING CAPACITY		
BTU/hr @ 95 F at 60%RH		13,850 (1.1 TON)
COMPRESSOR DATA		
Compressor Type		HERMETIC ROTARY
Operating Temperatures		60-110 F .50%RH
Refrigerant		R-22
FAN DATA		
EVAPORATOR		
Fan Type (Centrifigul)		DIRECT DRIVE
Air Flow (CFM)		460/3
Supply Air chute Data		ADJUSTABLE VENT
Supply Air Chute Data (Optional)		2-5"Dia.x12"Length
Motor HP		1/6
CONDENSER		
I/O Intergral Condenser - In/Out		BALANCED AIR FLOW
Fan Type (Centrifigul)		DIRECT DRIVE
Air Flow (CFM)		1100
Condenser Duct Data (Optional)		2x12"Dia.x8' Length
Condenser Duct Max. Length		25'
Motor HP		1/3
ELECTRICAL DATA		
Power Supply (Volts)		115/10
Current Consumption (Amps)		14.5
Power Consumption (KW)		1.35
Maximum Circuit Breaker (Amps)		20
Minimum Circuit Ampacity (Amps)		17.24
Min/Max Voltage		105-125
Power Cord Gauge/Length		14/6'
Plug Configuruation		15-May
DIMENSIONAL DATA		
Unitary Models	Width x Depth x Height (Inches)	16.25X36.5X40
	Weight (Lbs.)	211
	Shipping Weight (Lbs.)	286
	Ceiling Kit - CK-12 Weight	38
	Total Shipping Weight/w Ceiling Kit	339
SAFETY DEVICE DATA		
Compressor Overload		INTERNAL
Fan Motor Overload		AUTOMATIC INTERNAL
Evaporator Freeze-up		HOT GAS BYPASS
High Pressure Switch		MANUAL
Low Pressure Switch		AUTOMATIC
Compressor Short Cycle		YES
Automatic Restart		YES
Thermostat		MICROPROCESSOR/ DIGITAL
Condensate Pump w 20' Head Pres.		YES
Condensate Pump Overflow		YES
Condensate Tank Overflow		YES

