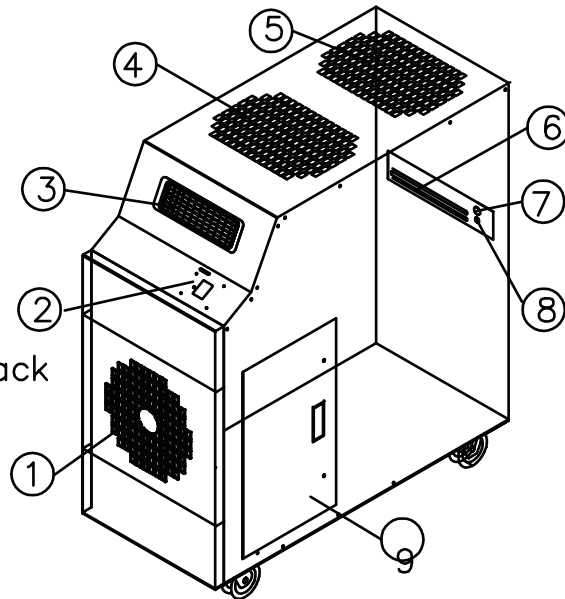


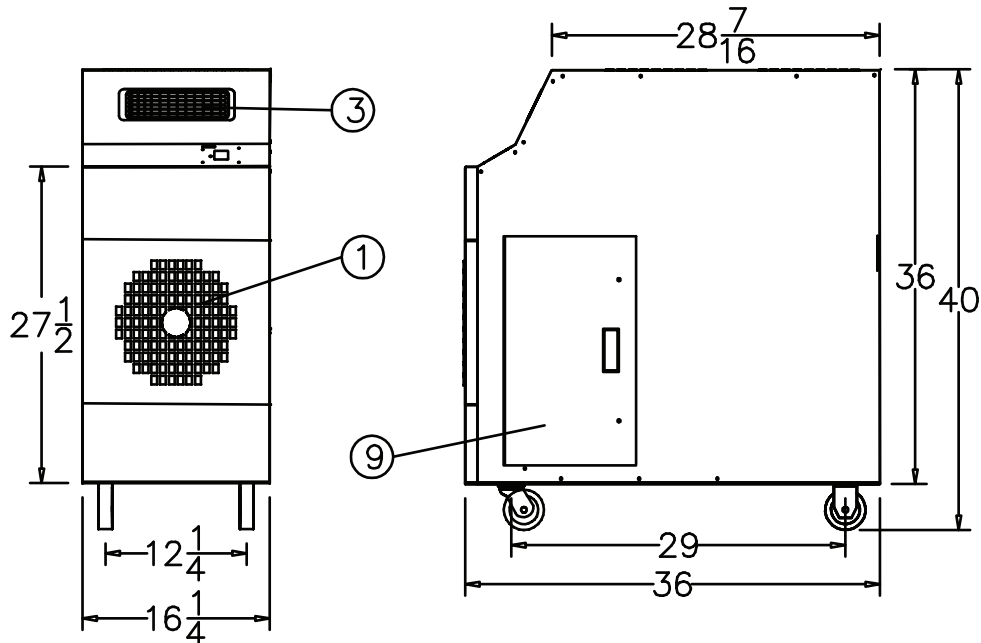
SAC1811

Legend

- 1 Return Air
- 2 Control Pad
- 3 Cold Air Supply
- 4 Condenser Air Inlet
- 5 Condenser Air Outlet
- 6 Power Cord
- 7 Condensate Nipple
- 8 Condensate Alarm Jack
- 9 Access Door



Isometric View



Front View

Right View





PENN RADIANT PRODUCTS

1-800-438-2503

SPECIFICATIONS

Model SAC1811 - 1.5 Ton

COOLING CAPACITY		
	BTU/hr @ 95 F at 60%RH	17,700 (1-1/2 TON)
COMPRESSOR DATA		
	Compressor Type	HERMETIC ROTARY
	Operating Temperatures	60-110 F .50%RH
	Refrigerant	R-22
FAN DATA		
EVAPORATOR		
	Fan Type (Centrifugal)	DIRECT DRIVE
	Air Flow (CFM)	600/3
	Supply Air Data	ADJUSTABLE VENT
	Supply Air Chute Data (Optional)	2-5"Dia.x12"Length
	Motor HP	1/4
CONDENSER		
	I/O Intergral Condenser - In/Out	BALANCED AIR FLOW
	Fan Type (Centrifugal)	DIRECT DRIVE
	Air Flow (CFM)	1250
	Condenser Duct Data (Optional)	2x12"Dia.x8' Length
	Condenser Duct Max. Length	25'
	Motor HP	1/4
ELECTRICAL DATA		
	Power Supply (Volts)	115/10
	Current Consumption (Amps)	17.9
	Power Consumption (KW)	1.35
	Maximum Circuit Breaker (Amps)	20
	Minimum Circuit Ampacity (Amps)	18.15
	Min/Max Voltage	105-125
	Power Cord Gauge/Length	12/6'
	Plug Configuration	5-20'
DIMENSIONAL DATA		
Unitary Models	Width x Depth x Height (Inches)	16.25X36X40
	Weight (Lbs.)	217
	Shipping Weight (Lbs.)	292
	Ceiling Kit - CK-12 Weight	38
	Total Shipping Weight/w Ceiling Kit	345
SAFETY DEVICE DATA		
	Compressor Overload	INTERNAL
	Fan Motor Overload	AUTOMATIC INTERNAL
	Evaporator Freeze-up	HOT GAS BYPASS
	High Pressure Switch	MANUAL
	Low Pressure Switch	AUTOMATIC
	Compressor Short Cycle	YES
	Automatic Restart	YES
	Thermostat	MICROPROCESSOR/ DIGITAL
	Condensate Pump w 20' Head Pres.	YES
	Condensate Pump Overflow	YES
	Condensate Tank Overflow	YES

