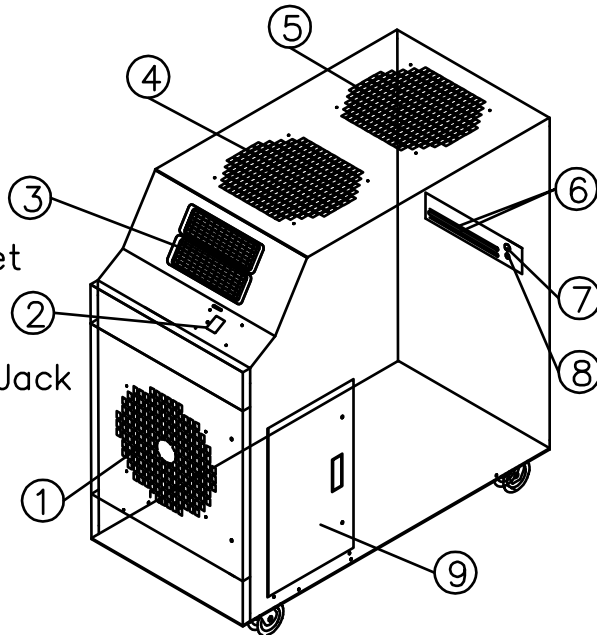


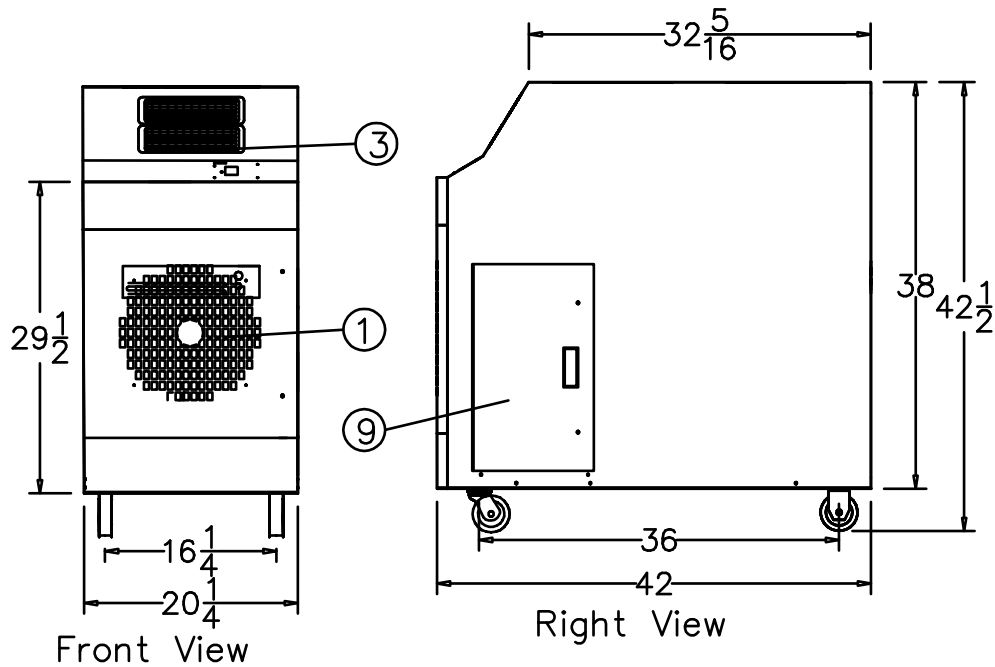
SAC3021

Legend

- 1 Return Air
- 2 Control Pad
- 3 Cold Air Supply
- 4 Condenser Air Inlet
- 5 Condenser Air Outlet
- 6 Power Cord
- 7 Condensate Nipple
- 8 Condensate Alarm Jack
- 9 Access Door



Isometric View



C US

ETL LISTED CONFORMS TO ANSI/UL 1995 CERTIFIED TO CAN/CSAA22.2 NO.235



PENN RADIANT PRODUCTS

1-800-438-2503

SPECIFICATIONS

Model SAC3021 - 2.5 Ton

COOLING CAPACITY		
	BTU/hr @ 95 F at 60%RH	29,500 (2-1/2 TONS)
COMPRESSOR DATA		
	Compressor Type	HERMETIC ROTARY
	Operating Temperatures	60-110 F .50%RH
	Refrigerant	R-22
FAN DATA		
EVAPORATOR		
	Fan Type (Centrifugal)	DIRECT DRIVE
	Air Flow (CFM)	850/3
	Supply Air Chute Data	ADJUSTABLE VENT
	Supply Air Chute Kit (Optional)	2-6" Dia.x15" Length
	Motor HP	1/3
CONDENSER		
	I/O Intergral Condenser - In/Out	BALANCED AIR FLOW
	Fan Type (Centrifugal)	DIRECT DRIVE
	Air Flow (CFM)	1600
	Condenser Hose Data (Optional)	2-14" Dia.x 8' Length
	Condenser Hose Max. Length	40"
	Motor HP	1
ELECTRICAL DATA		
	Power Supply (Volts)	208/230-10
	Current Consumption (Amps)	17.05X15.5
	Power Consumption (KW)	3.05
	Maximum Circuit Breaker (Amps)	20
	Minimum Circuit Ampacity (Amps)	17.35
	Min/Max Voltage	195-225/210-250
	Power Cord Gauge/Length	12AWG/6
	Plug Configuration	NEMA 6-20
DIMENSIONAL DATA		
Unitary Models	Width x Depth x Height (Inches)	20.25X42X42.5
	Weight (Lbs.)	294
	Shipping Weight (Lbs.)	379
	Ceiling Kit - CK-24 Weight	47
	Total Shipping Weight/w Ceiling Kit	441
SAFETY DEVICE DATA		
	Compressor Overload	INTERNAL
	Fan Motor Overload	AUTOMATIC INTERNAL
	Evaporator Freeze-up	HOT GAS BYPASS
	High Pressure Switch	MANUAL
	Low Pressure Switch	AUTOMATIC
	Compressor Short Cycle	YES
	Automatic Restart	YES
	Thermostat	MICROPROCESSOR/ DIGITAL
	Condensate Pump w 20' Head Pres.	YES
	Condensate Pump Overflow	YES
	Condensate Tank Overflow	YES

